

INTRODUCING THE NEW POLICE SIDECAR CHASSIS

Harley-Davidson's new sidecar chassis features improved straight line and cornering stability, improved steering effort for left and right hand turns, improved tire to ground contact, reductions in vibration and noise as well as improved weight distribution.



For Law Enforcement only.

THE NEW AND IMPROVED SIDECAR CHASSIS FITS 2017 AND LATER POLICE TOURING MODELS.

The following components are to be carried over from existing vehicles if in good safe working order. All Hardware to be replaced with new supplied in kit.

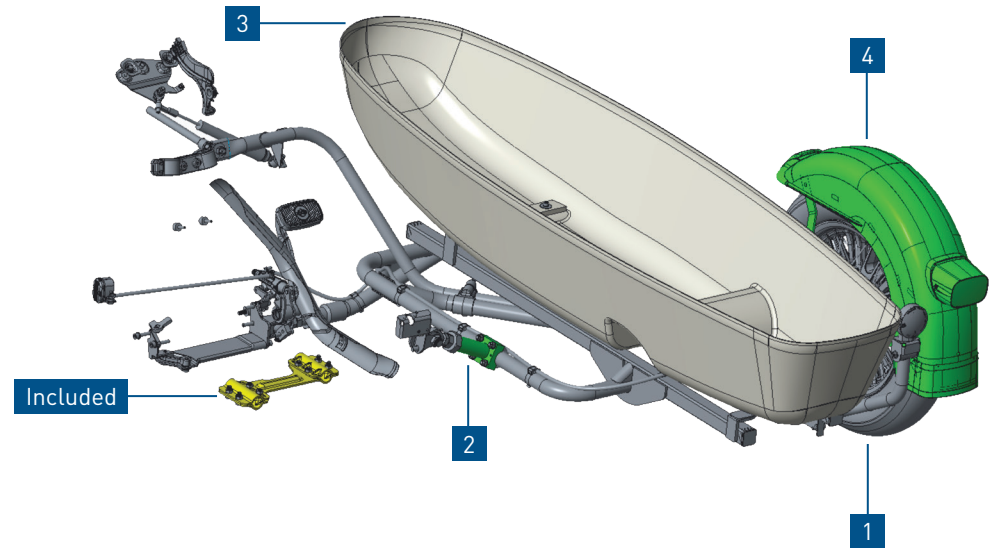
- Rear Mount Boss
- Sidecar Tub
- Fender Assembly
- Wheel

2008—2011 sidecar wheel assemblies can be reused on a new sidecar. Requires 25mm axle and brake rotor with 82.25 Diameter bolt circle. Wheel options from MY19 Trike and Touring still apply and likely more desirable with purchase of new vehicle.

ASSEMBLY	MODEL	WHEEL	TIRE
43300534	FLHTCUTG	83326-09	43022-91A
43300531A	FLRT	43300283	43100045
43300358	FLHRC	40960-09	43018-92A
43300509	FLHXS/FLTRXS	43300508	43100013

Package includes all of the following items to complete the assembly of the sidecar kit:

- Steering damper kit
- Frame kit
- Brake kit
- Mounting kit
- Top Mount kit
- Front Mount Kit
- Rear Mount Kit
- Frame Stiffener Kit
- Suspension Kit
- Electrical Kit
- Bodywork Kit



Required Parts not Included in the package:

1. Wheel assembly
2. Rear mount boss
3. Sidecar Tub
4. Fender Assembly

MSRP: \$4295.00

Part No.: 91800074



See your local dealer for placing an order and eligibility.